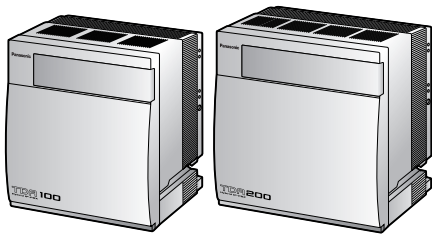


Panasonic

Hybrid IP-PBX

Getting Started



KX-TDA100
Model KX-TDA200



Thank you for purchasing a Panasonic Hybrid IP-PBX.
Please read this manual carefully before using this product and save this manual for future use.

KX-TDA100/KX-TDA200: PMPR Software File Version 3.0000 or later

Table of Contents

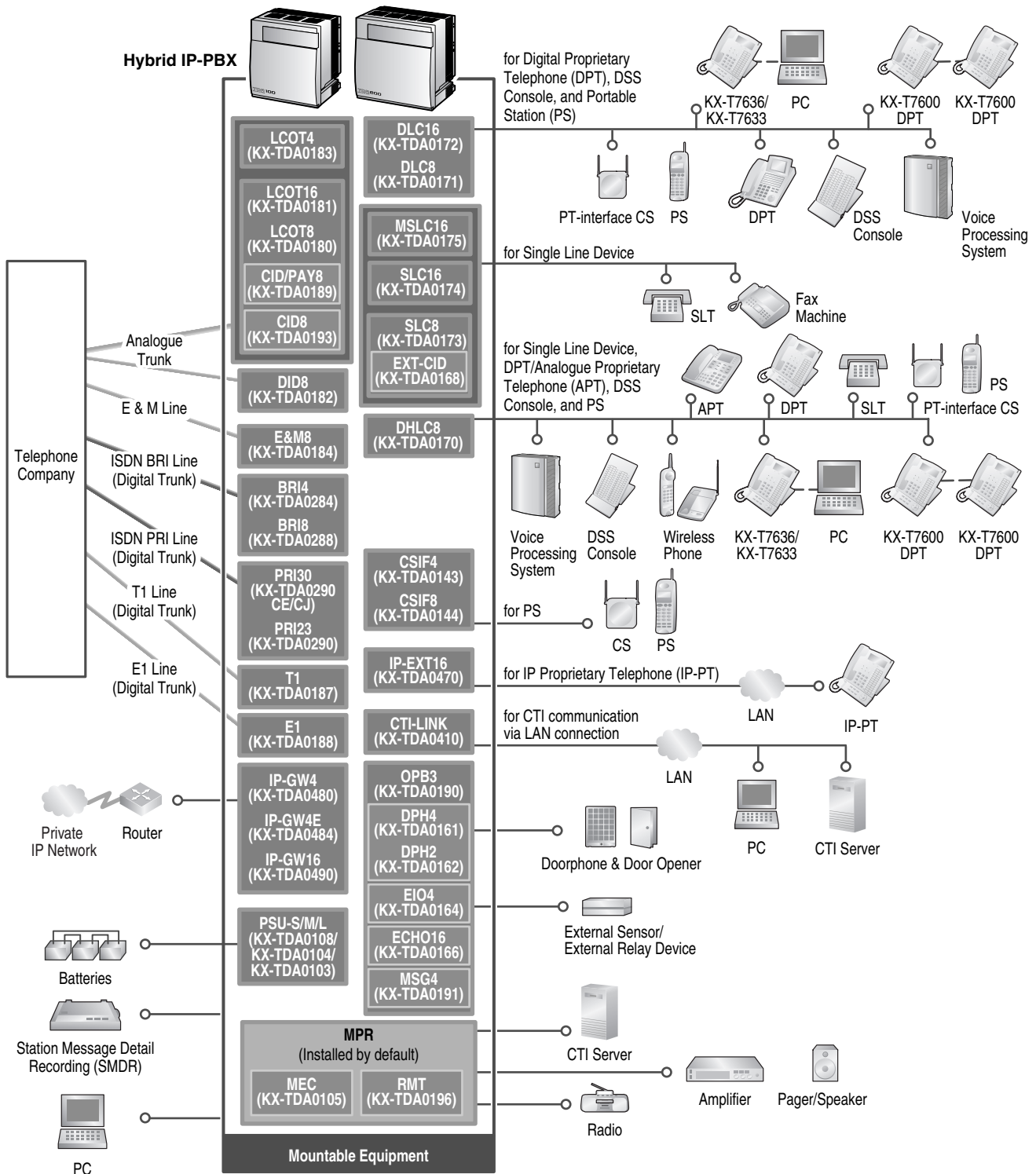
1	Before Installation	3
1.1	System Connection Diagram	4
1.2	Unpacking.....	5
2	Installation.....	7
2.1	Opening/Closing the Front Cover.....	8
2.2	Inserting the SD Memory Card to the MPR Card.....	9
2.3	Installing the Option Units	9
2.4	Installing the Trunk Cards	11
2.5	Installing the Extension Cards (DLC8/DLC16/DHLC8/MSLC16/SLC8/SLC16).....	14
2.6	Connecting Extensions	14
2.7	Frame Earth Connection	15
3	Starting the Hybrid IP-PBX	17
3.1	Starting the Hybrid IP-PBX.....	18
4	Customising the Hybrid IP-PBX	19
4.1	Connecting the PC.....	20
4.2	Installing the KX-TDA Maintenance Console	20
4.3	Programming the Hybrid IP-PBX.....	21
5	Confirming the Connection	27
5.1	Making Calls	28



Section 1

Before Installation

1.1 System Connection Diagram



Note

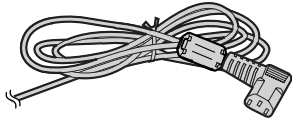
In this manual, the suffix of each model number (e.g., KX-TDA100NE) is omitted unless necessary.

1.2 Unpacking

Check the package contents.

Main Unit × 1

CD-ROM (including manuals, etc.) × 1



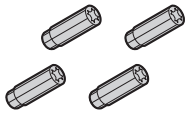
AC Cord* × 1



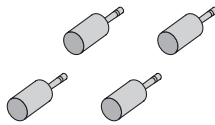
Screw A
× 3 (KX-TDA100)
× 4 (KX-TDA200)



Screw B (Black)
× 2 (KX-TDA100)
× 6 (KX-TDA200)



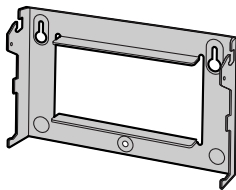
Anchor Plug
× 3 (KX-TDA100)
× 4 (KX-TDA200)



Mini Plug (for pager and
music source) × 4

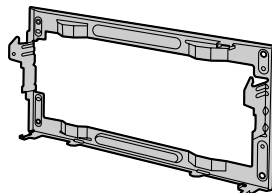


SD Memory Card × 1



for KX-TDA100

Metal Bracket × 1



for KX-TDA200

* The type of the AC cord may vary depending on the country/area of use.

KX-TDA100BX/KX-TDA200BX is supplied with 2 types of AC cord. Please use whichever is appropriate for the country/area.

In Canada, there is no ferrite core attached to the AC cord.

Necessary tools (not supplied):

- ✓ Telephone cable for extension connection:

Diameter of cable (\varnothing 0.4 mm to \varnothing 0.6 mm)	Maximum length of cable
\varnothing 0.5 mm	1128 m for SLT
\varnothing 0.5 mm	720 m for KX-T7600 series
\varnothing 0.5 mm	229 m for other DPT, APT and DSS Console

The maximum length of the cable may vary depending on the type of cable and installation conditions.

- ✓ An RS-232C or USB cable for PC connection
- ✓ Connectors (Amphenol/RJ45/BNC) for trunk and extension connections

Notes

- Use a shielded twisted pair cable for the Amphenol connector.
- Use a twisted pair cable for the RJ45 connector.

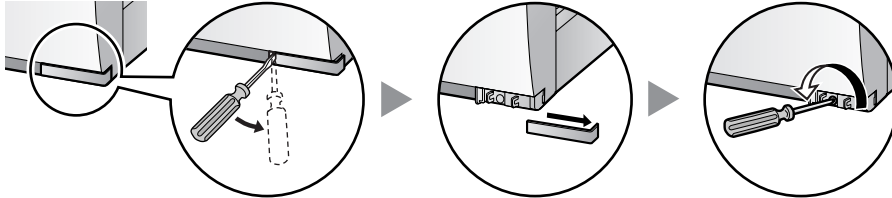
Section 2

Installation

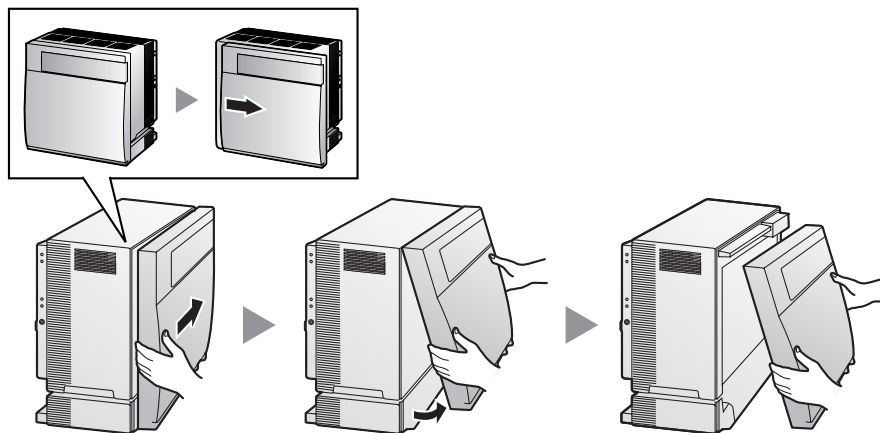
2.1 Opening/Closing the Front Cover

Opening the Front Cover

1. Insert a flathead screwdriver into the opening (on the left of the screw cover) and unlatch the screw cover. Turn the screw anticlockwise to loosen.

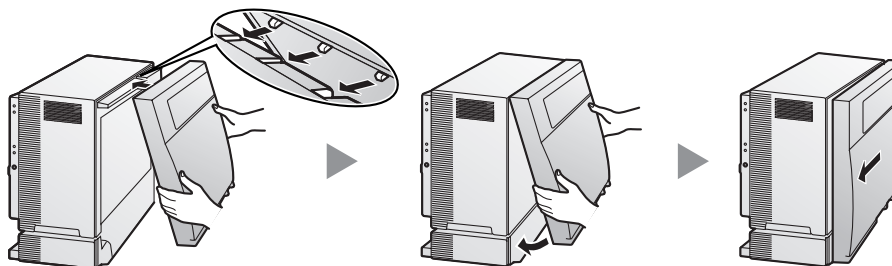


2. Slide the front cover to the right until it stops, then lift the front cover.

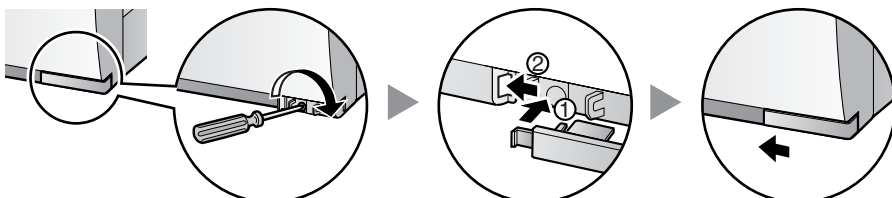


Closing the Front Cover

1. Hook the front cover onto the shelf (line up the protrusions on the cover with the receptacles on the shelf), then slide the front cover to the left until it locks.



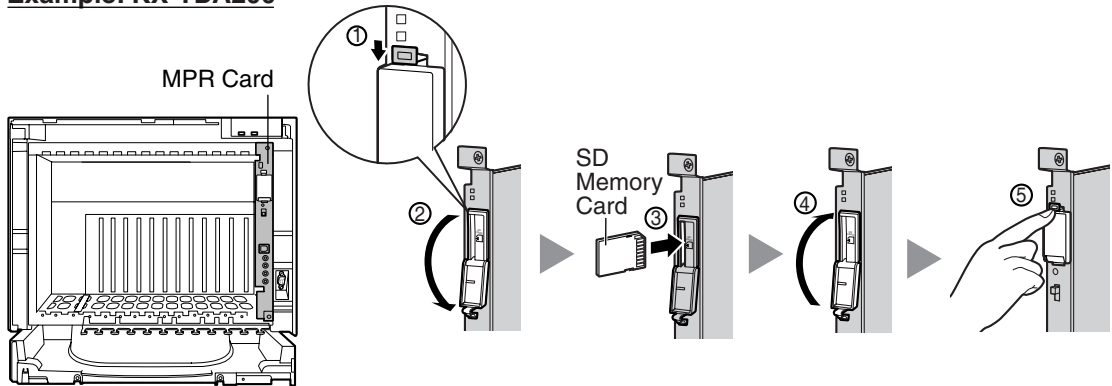
2. Turn the screw clockwise to tighten, then secure the screw cover.



2.2 Inserting the SD Memory Card to the MPR Card

The SD Memory Card contains software for all the processes of the Hybrid IP-PBX and all the customer data. **The SD Memory Card must be inserted before start up.**

Example: KX-TDA200



CAUTION

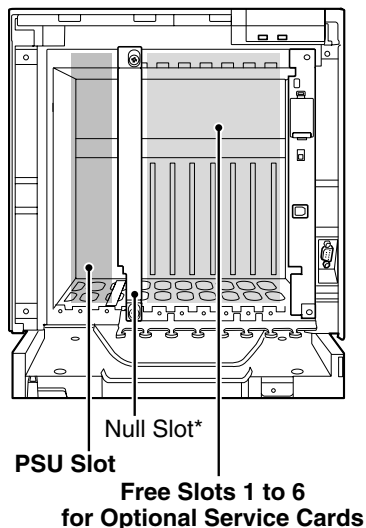
Do not remove the SD Memory Card while power is supplied to the Hybrid IP-PBX. Doing so may cause the Hybrid IP-PBX to fail to start when you try to restart the system.

2.3 Installing the Option Units

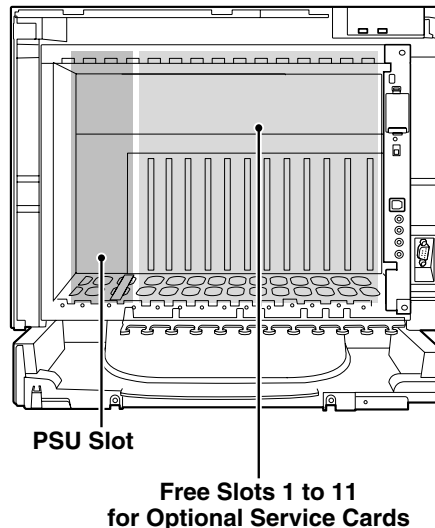
Slot Condition

Install the power supply unit (PSU) into the left-most slot, and optional service cards into free slots.

KX-TDA100



KX-TDA200



* Null slot is not available for any optional service card.

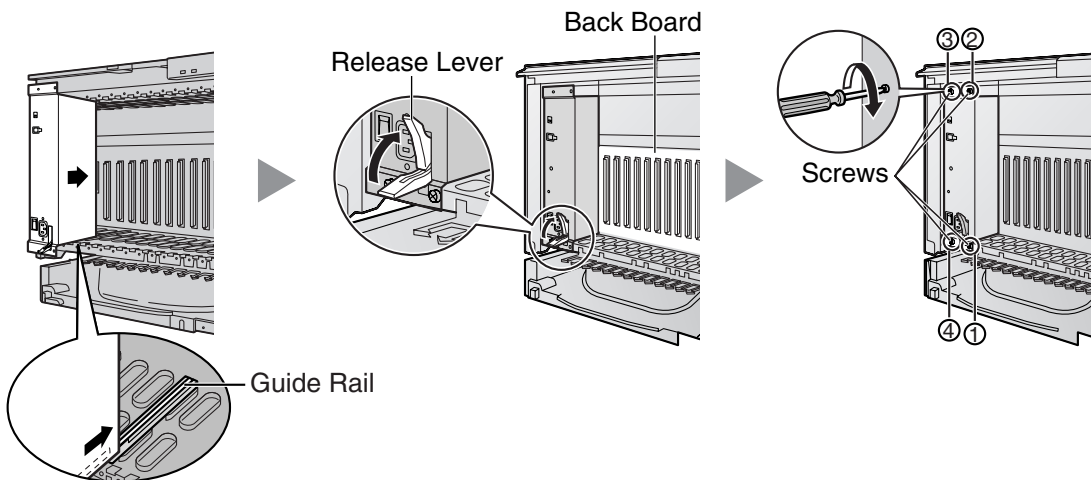
2.3 Installing the Option Units

CAUTION

To protect the back board from static electricity, do not touch parts on the back board in the main unit, PSU, and on the optional service cards. To discharge static electricity, touch ground or wear an earthing strap. Make sure the screws are tightened to earth the card securely.

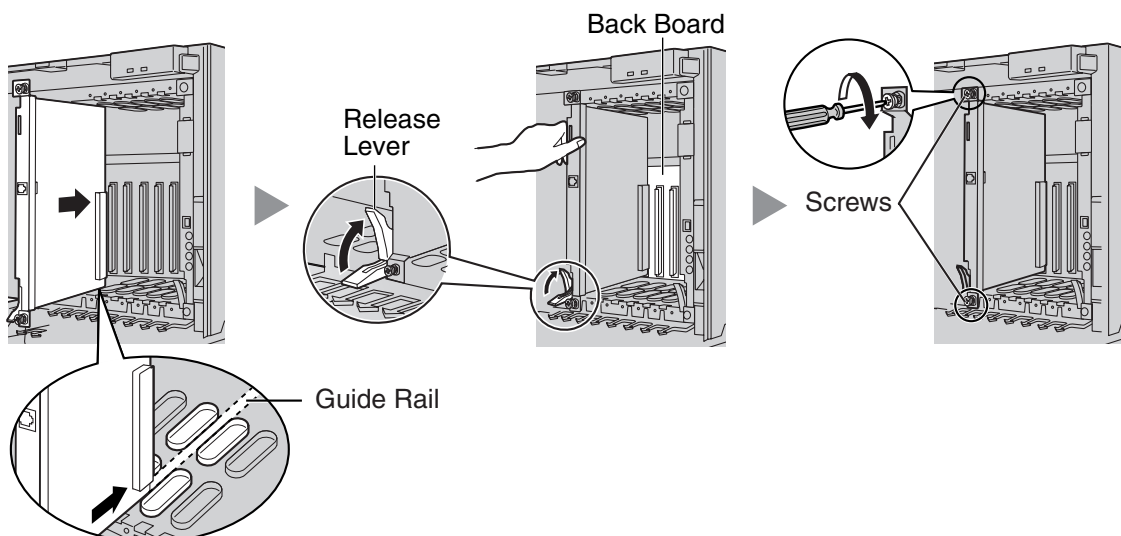
Installing the Power Supply Unit

1. Insert the PSU along the guide rails.
2. Push the release lever in the direction of the arrow, so that the PSU engages securely with the connector on the back board.
3. Turn the 4 screws clockwise, in the order indicated by the numbers 1 to 4, to fix the PSU.



Installing the Trunk/Extension Cards

1. Insert the card along the guide rails.
2. Holding the card as shown below, push the release lever in the direction of the arrow so that the card engages securely with the connector on the back board.
3. Turn the 2 screws clockwise to fix the card in place.

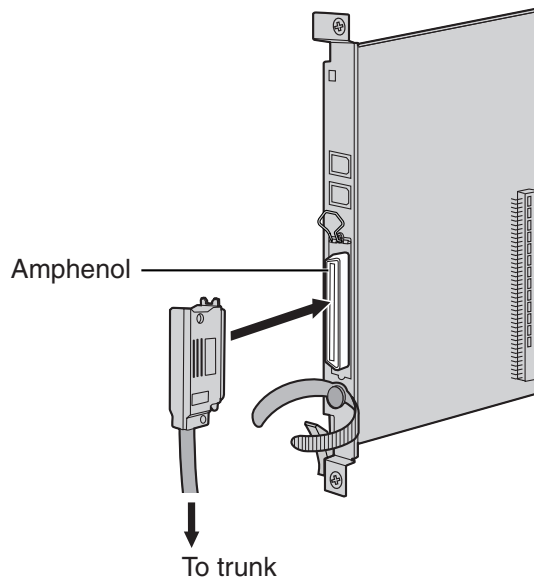


Be sure to cover each slot in which no optional service card is installed by using a Blank Slot Cover. For details, refer to "Covering the Blank Slots" in "2.2.7 Installing/Removing the Optional Service Cards" of the Installation Manual.

2.4 Installing the Trunk Cards

LCOT4/LCOT8/LCOT16 Card

Example: LCOT16 Card

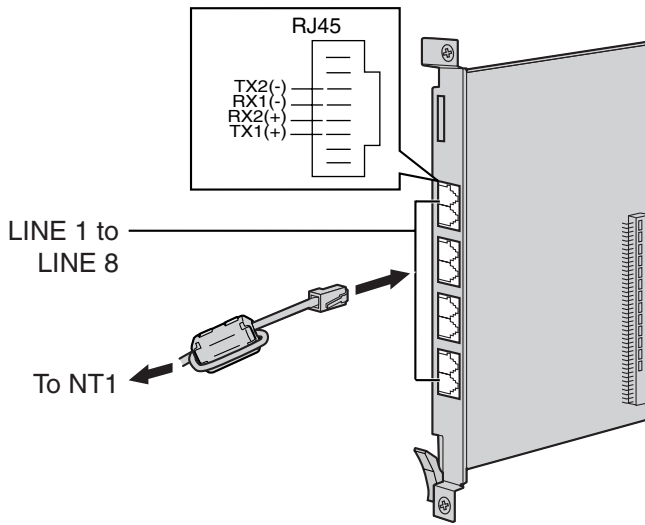


Accessories (included): Screws × 2

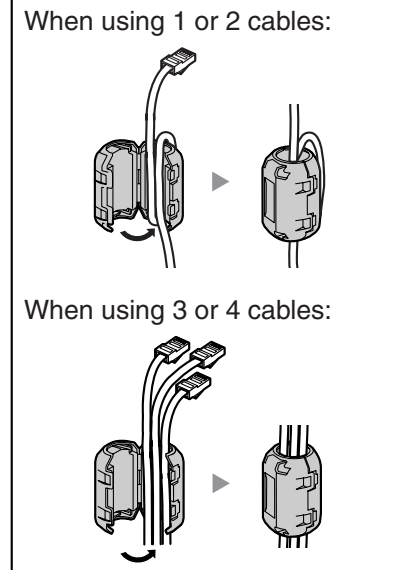
User-supplied (not included): Amphenol connector

BRI4/BRI8 Card

Example: BRI8 Card



To attach the ferrite core



- For every 4 cables, use 1 ferrite core; a ferrite core holds a maximum of 4 cables.
- Attach the ferrite core as close to the card's connector as possible.

Accessories (included): Ferrite core(s) × 1 (BRI4 card) or 2 (BRI8 card)

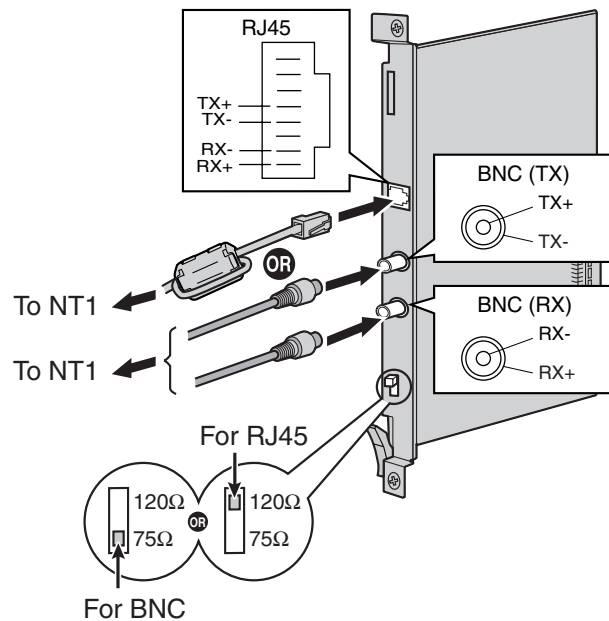
User-supplied (not included): RJ45 connector

Notes

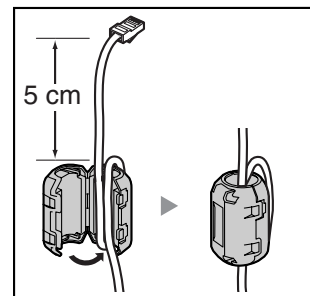
- LINE 5 to LINE 8 are for BRI8 card only.
- Connect these optional service cards to the trunk through an NT1; do not connect to the U interface of the trunk directly.
- These optional service cards have 100 Ω of terminal resistance. For use in point to multi-point connection, the cards must be placed at the end of the bus.
- When connecting the RJ45 connector, attach the included ferrite core.

PRI30/PRI23 Card

Example: PRI30 Card



To attach the ferrite core



Accessories (included): Ferrite core × 1

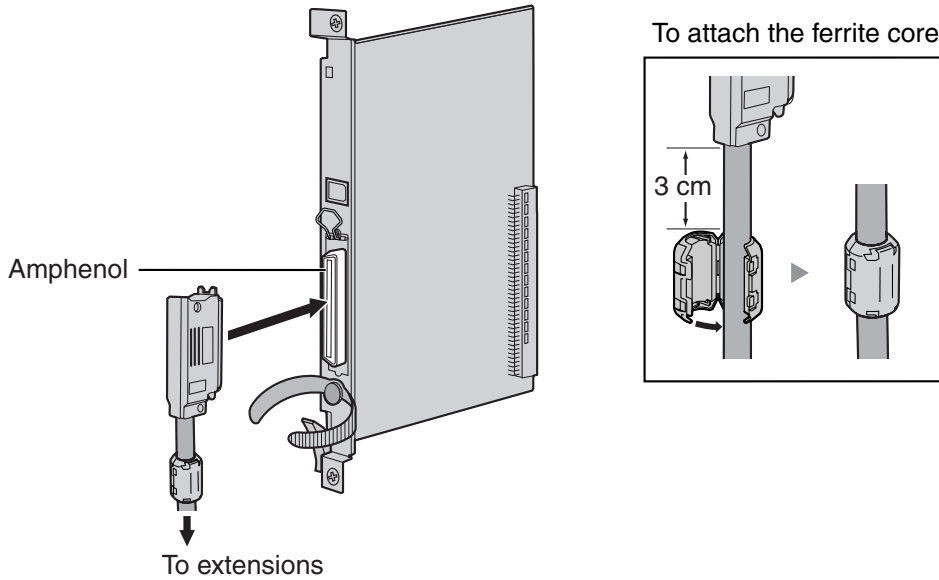
User-supplied (not included): RJ45 or BNC connectors

Notes

- In some countries/areas, the PRI30 card must not be connected to the Public Switched Telephone Network.
- Connect these optional service cards to the trunk through an NT1; do not connect to the U interface of the trunk directly.
- Use only 1 type of connector (RJ45 or BNC) for connection of PRI30 card; RJ45 and BNC cannot be used simultaneously. Set the termination switch to 120 Ω (default) or 75 Ω for connector type to be used.
- When connecting the RJ45 connector, attach the included ferrite core (except in Canada, where the ferrite core is not necessarily required).

2.5 Installing the Extension Cards (DLC8/DLC16/DHLC8/MSLC16/SLC8/SLC16)

Example: DHLC8 Card



Accessories (included): Screws × 2, Ferrite core × 1

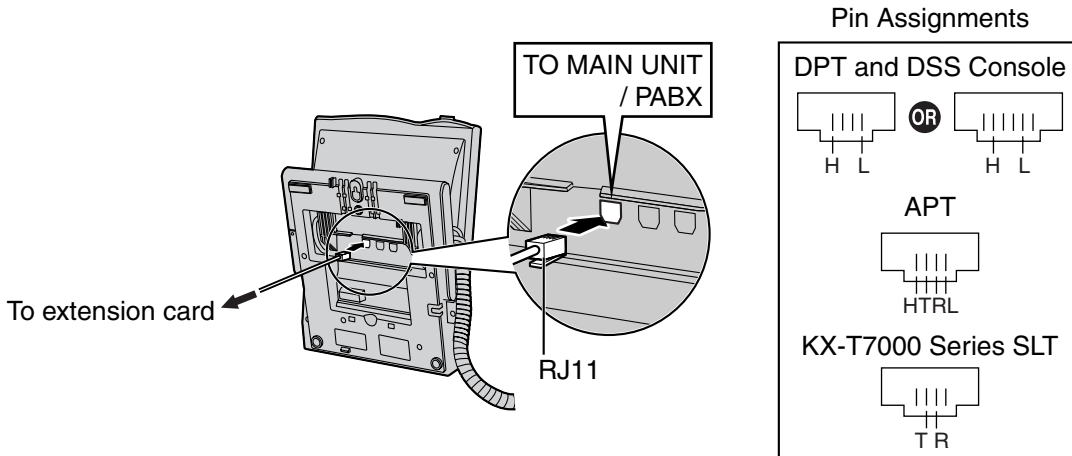
User-supplied (not included): Amphenol connector

Note

Attach the included ferrite core to the cable.

2.6 Connecting Extensions

Example: KX-T7600 Series DPT

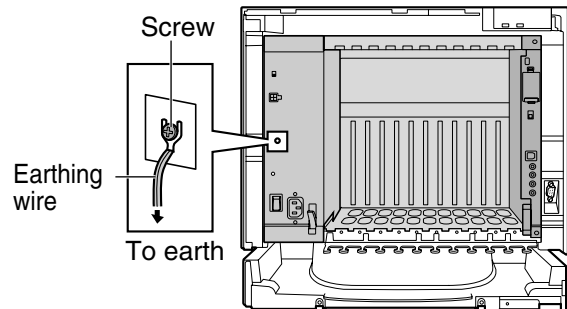


2.7 Frame Earth Connection

IMPORTANT

Connect the frame of the Hybrid IP-PBX to earth.

1. Loosen the screw.
2. Insert an earthing wire (user-supplied)*.
3. Tighten the screw.
4. Connect the earthing wire to earth.



* For earthing wire, green-and-yellow insulation is required, and the cross-sectional area of the conductor must be more than 0.75 mm² or 18 AWG.

- Proper earthing (connection to earth) is very important to protect the Hybrid IP-PBX from the bad effects of external noise or to reduce the risk to the user of electrocution in the case of a lightning strike.
- The earthing wire of the AC cable has an effect against external noise and lightning strikes, but it may not be enough to protect the Hybrid IP-PBX. A permanent connection between earth and the earth terminal of the Hybrid IP-PBX must be made.

2.7 Frame Earth Connection

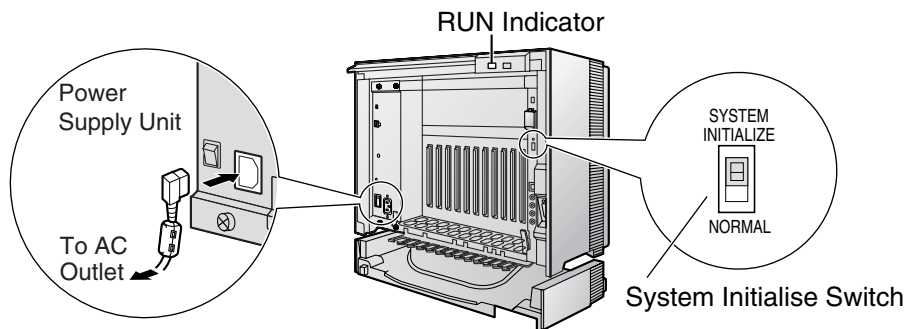
Section 3

Starting the Hybrid IP-PBX

3.1 Starting the Hybrid IP-PBX

CAUTION

- SD Memory Card must be inserted in the SD Memory Card slot of the MPR card before start up.
 - Before touching the System Initialise Switch, discharge static electricity by touching ground or wearing an earthing strap.
 - Once you have started the Hybrid IP-PBX and if you unplug the Hybrid IP-PBX, do not perform the following procedures to start the Hybrid IP-PBX again. Otherwise, your programmed data will be cleared.
 - The Hybrid IP-PBX will continue to be powered even if the power switch is turned "OFF".
 - **The power supply cord is used as the main disconnect device. Ensure that the AC outlet is located near the equipment and is easily accessible.**
1. Slide the System Initialise Switch to the "SYSTEM INITIALIZE" position.



2. Plug the AC power cord into the Hybrid IP-PBX and an AC outlet, and turn on the Hybrid IP-PBX. The RUN indicator will flash.
3. While the RUN indicator is flashing, slide the System Initialise Switch back to the "NORMAL" position. Depending on the configuration, initialisation takes about 1 min to 3 min. If successfully executed, the RUN indicator will stop flashing and stay lit.

All data will be cleared and the Hybrid IP-PBX will be initialised to the default values. The DPTs should show the time as 01:00.

Note

Use only the AC power cord included with the Hybrid IP-PBX for the PSU.

Section 4

Customising the Hybrid IP-PBX

4.1 Connecting the PC

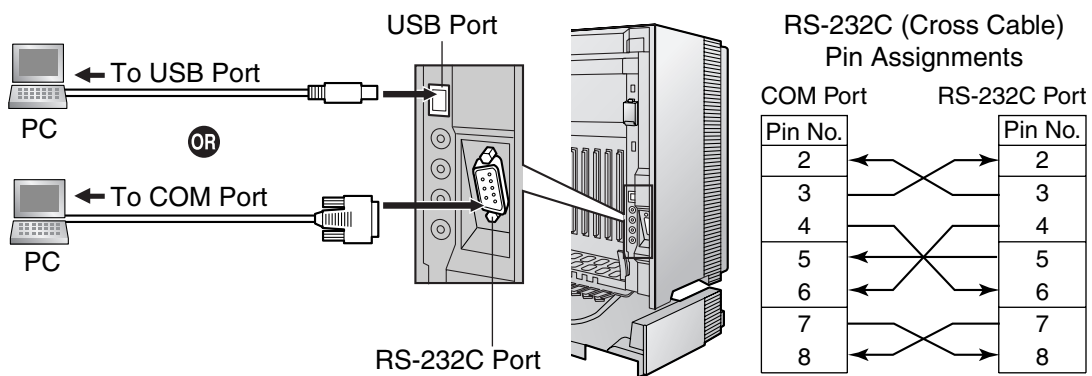
KX-TDA Maintenance Console serves as an overall system programming tool for the Hybrid IP-PBX. KX-TDA Maintenance Console's Quick Setup lets you easily configure the Hybrid IP-PBX to receive intercom and trunk calls, as well as apply basic settings such as time and date.

Note

The contents and design of the software are subject to change without notice.

To programme the Hybrid IP-PBX, connect it to the PC with serial interface.

Serial Interface Connection



4.2 Installing the KX-TDA Maintenance Console

For the system requirements of the PC (e.g., operating system, hardware specifications), refer to "3.3.1 Installing and Starting the KX-TDA Maintenance Console" in the Installation Manual.

Notes

- Make sure to install and use the latest version of the KX-TDA Maintenance Console.
- To connect the PC to the Hybrid IP-PBX via USB, the KX-TDA USB driver must be installed. Follow the instructions of the wizard to install the KX-TDA USB driver. When the Hybrid IP-PBX is first connected to the PC via USB, you may be asked to select the appropriate USB driver. Browse for and select the KX-TDA USB driver that was installed previously.
- Screen shots reprinted with permission from Microsoft Corporation.



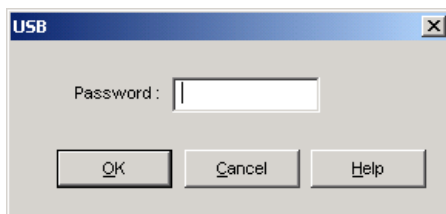
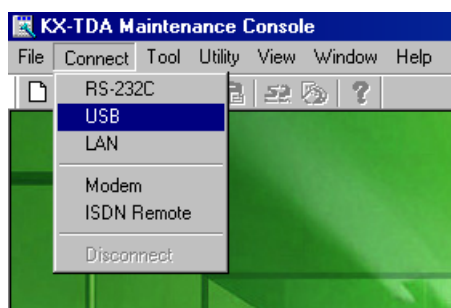
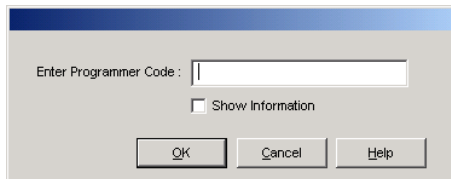
1. Copy the setup file of the KX-TDA Maintenance Console to your PC. (Its icon is shown here, on the left.)
2. Double-click the setup file to run the installer.
3. Follow the on-screen instructions provided by the installation wizard.

4.3 Programming the Hybrid IP-PBX

Starting the KX-TDA Maintenance Console and Assigning the Basic Items (Quick Setup)

When you start the KX-TDA Maintenance Console with the Installer Level Programmer Code and connect to the Hybrid IP-PBX for the first time after initialisation (with the factory default setting), Quick Setup will launch automatically. During Quick Setup, you will set up the basic items. For details about the basic items, refer to "2.3.4 Quick Setup" in the Feature Guide.

1. Connect the PC to the Hybrid IP-PBX with a USB cable.
2. Start the **KX-TDA Maintenance Console** from the Start menu.
3. "Information Before Programming" appears.
 - a. Carefully read this important additional information, which includes updates to this and other manuals.
 - b. Click [OK] to close this window.
4.
 - a. Enter the Installer Level Programmer Code (default: **INSTALLER**).
 - b. Click [OK].
5. Click "**Connect**" → "**USB**" or "**RS-232C**" from the menu bar, depending on the serial interface connection with the Hybrid IP-PBX.
6.
 - a. Enter the system password for installer (default: **1234**).
 - b. Click [OK].

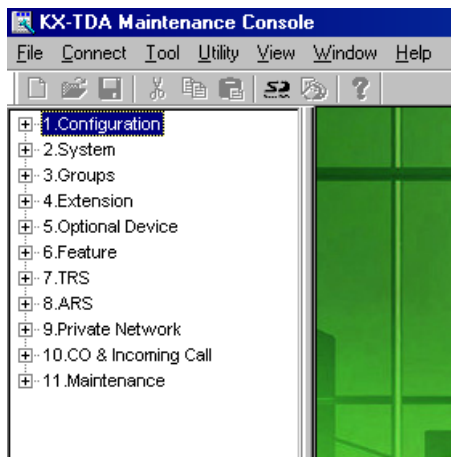
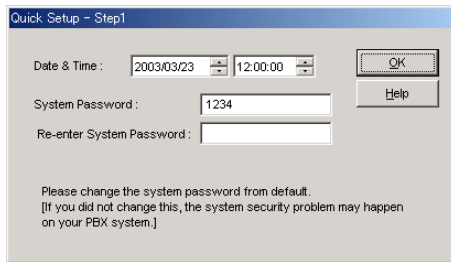


4.3 Programming the Hybrid IP-PBX

7. When country/area data do not match:

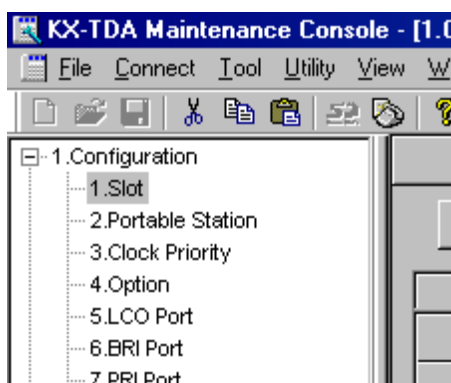
- a. Click [OK] to replace the country/area data of the Hybrid IP-PBX. Replacement may take several minutes to complete.
- b. Follow the procedure described in "Starting the Hybrid IP-PBX" and restart the Hybrid IP-PBX.
- c. Repeat steps 5 to 6 to restart the KX-TDA Maintenance Console.

8. Follow the instructions of the wizard and assign the basic items (Quick Setup).

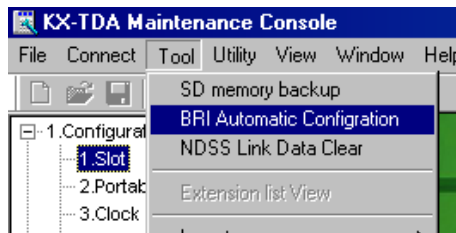


The programme menu appears. You may now begin programming the Hybrid IP-PBX.

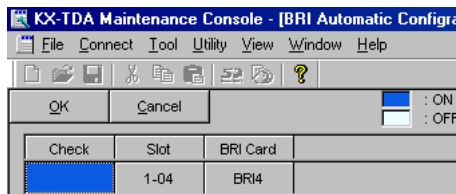
Assigning the BRI Setting (Automatic Configuration)



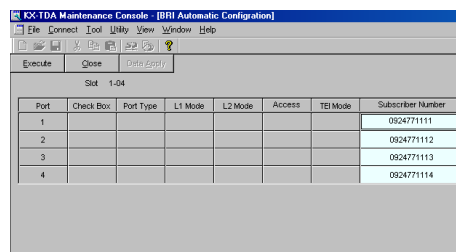
1.
 - a. Double-click "Configuration".
 - b. Double-click "Slot".
 - c. Change the status of the BRI card to **OUS**.
 - d. Click [OK].



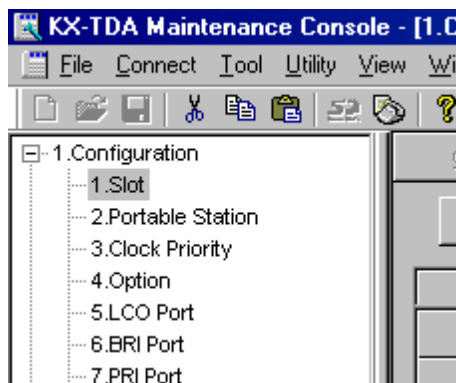
2. Click "Tool" → "BRI Automatic Configuration" from the menu bar.



3.
 - a. Click "Check" to turn on the BRI card.
 - b. Click [OK].

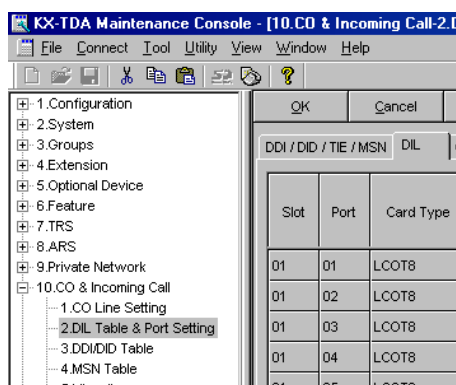


4.
 - a. Enter the **Subscriber Number** for the desired ports.
 - b. Click [Execute].
ISDN line data such as P-P/P-MP, TEI Mode are automatically set.
 - c. Click "Check Box" of the desired ports.
 - d. Click [Data Apply].



5.
 - a. Double-click "Slot".
 - b. Change the status of the BRI card to **INS**.
 - c. Click [OK].

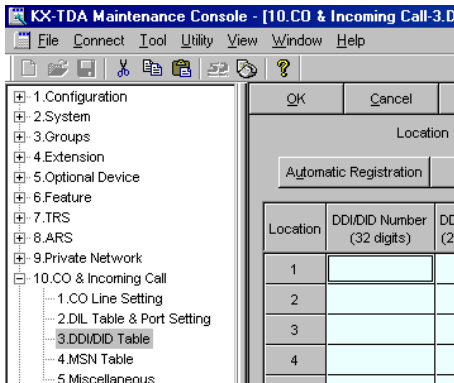
Assigning the Incoming Trunk Call Destination



For analogue trunk user (DIL Setting):

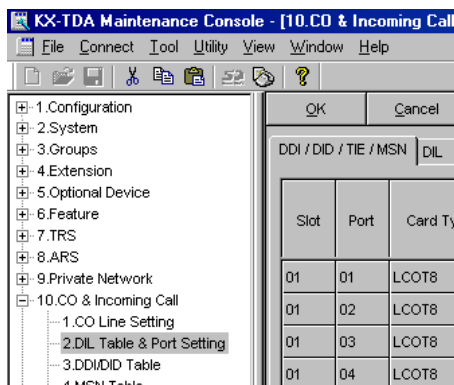
1. Double-click "CO & Incoming Call".
2. Double-click "DIL Table & Port Setting".
3. Click the "DIL" tab.
4. For necessary items, enter the proper numbers and selections.
5. Click [OK].

4.3 Programming the Hybrid IP-PBX



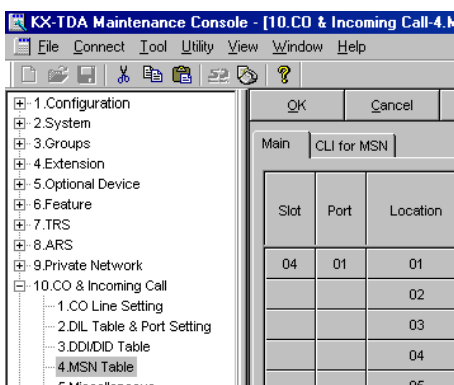
For ISDN trunk user (DDI Setting):

1. Double-click "CO & Incoming Call".
2. Double-click "DDI/DID Table".
3. For necessary items, enter the proper numbers and selections.
4. Click [OK].

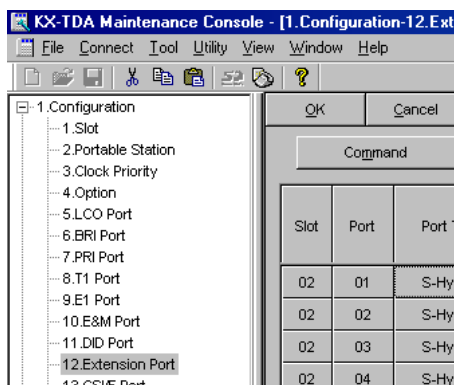


For ISDN trunk user (MSN Setting):

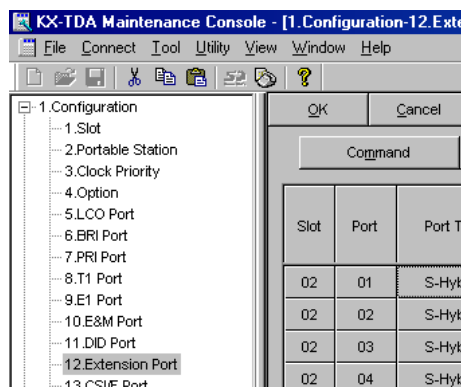
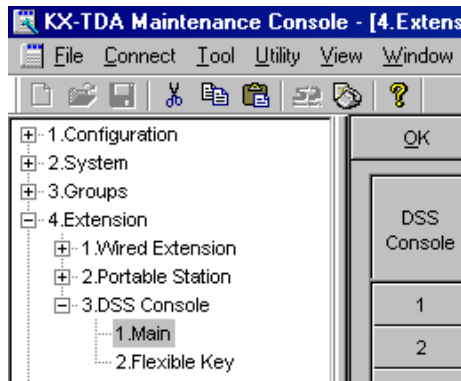
1. Double-click "CO & Incoming Call".
2. Double-click "DIL Table & Port Setting".
3. Click the "DDI / DID / TIE / MSN" tab.
4. Set the "Incoming Type" of the desired ports to "MSN".
5. Click [OK].
6. Double-click "MSN Table".
7. Click the "Main" tab.
8. For necessary items, enter the proper numbers and selections.
9. Click [OK].



Setting the Extension Port for Using DSS Console



1. Double-click "Configuration".
2. Double-click "Extension Port".
3. Change the connection of the desired port to **OUS**.
4. For **DPT Property**, set the **Type** to "DSS" and assign the **Location** number.
5. Click [OK].



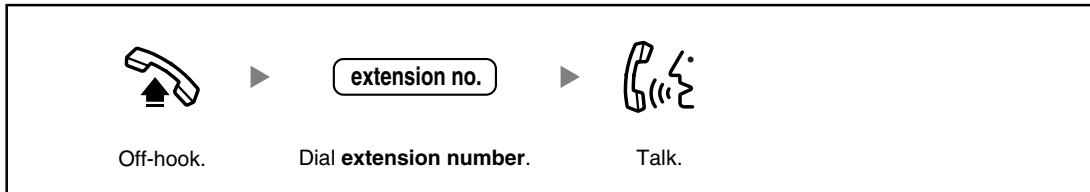
6. Double-click "**Extension**".
7. Double-click "**DSS Console**".
8. Double-click "**Main**".
9. Enter the **Pair Extension Number**.
10. Click [OK].
11. Double-click "**Flexible Key**".
12. For necessary items, enter the proper numbers and selections.
13. Click [OK].
14. Double-click "**Configuration**".
15. Double-click "**Extension Port**".
16. Change the connection of the appropriate port to **INS**.
17. Click [OK].

Section 5

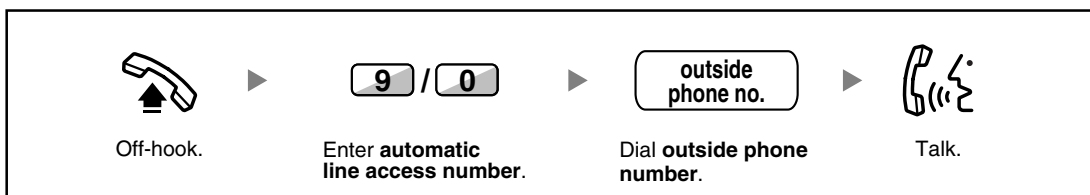
Confirming the Connection

5.1 Making Calls

To call another extension



To call an outside party





The KX-TDA100E/KX-TDA200E, the KX-TDA100NE/KX-TDA200NE, the KX-TDA100GR/KX-TDA200GR, and the KX-TDA100CE/KX-TDA200CE are designed to interwork with the:

- Analogue Public Switched Telephone Network (PSTN) of European countries
- Pan-European Integrated Services Digital Network (ISDN) using ISDN basic rate access
- Pan-European Integrated Services Digital Network (ISDN) using ISDN primary rate access
- ONP 2048 kbit/s digital structured leased lines (D2048S)

Panasonic Communications Co., Ltd./Panasonic Communications Company (U.K.) Ltd. declares that this equipment is in compliance with the essential requirements and other relevant provisions of Radio & Telecommunications Terminal Equipment (R&TTE) Directive 1999/5/EC.

Declarations of Conformity for the relevant Panasonic products described in this manual are available for download by visiting:

<http://www.doc.panasonic.de>

Contact:

Panasonic Services Europe
a Division of Panasonic Marketing Europe GmbH
Panasonic Testing Centre
Winsbergring 15, 22525 Hamburg, Germany

Panasonic Communications Co., Ltd.

1-62, 4-chome, Minoshima, Hakata-ku, Fukuoka 812-8531, Japan

Copyright:

This material is copyrighted by Panasonic Communications Co., Ltd., and may be reproduced for internal use only. All other reproduction, in whole or in part, is prohibited without the written consent of Panasonic Communications Co., Ltd.

© 2003 Panasonic Communications Co., Ltd. All Rights Reserved.